



**RCA26EK-11**  
**FIXED POINTER**

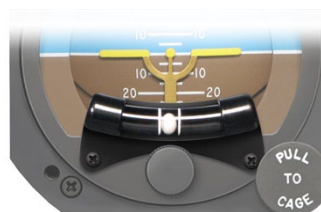


**RCA26EK-13**  
**MOVABLE POINTER**

The **RCA26EK** Series of gyroscopic Attitude Indicators is the culmination of over 60 years of experience in gyro design. With the Multi-Volt feature, the **RCA26EK** can be installed in virtually any aircraft regardless of its power system. Designed as a direct replacement for the **RCA26AK** (14 volt) and the **RCA26BK** (28 volt) instruments, the **RCA26EK** is built with the same sturdy construction and quality you expect from R.C. Allen.

The **EK** line, which includes the **RCA15EK** Multi-Volt Directional Gyro, can operate at a lower voltage than any other instrument on the market - giving them an extra safety edge in a low voltage situation. Together, they make a "Perfect Pair".

- MULTI-VOLT OPERATION (11 TO 30 VOLTS)
- MULTI-VOLT INTEGRATED LIGHTING
- FITS STANDARD 3" CUTOUT
- BOLD COLOR DISPLAY
- POWER FAILURE FLAG
- FIXED OR MOVABLE POINTER MODELS
- LIGHTED OR NON-LIGHTED
- ONE YEAR LIMITED WARRANTY



The **RCA26EK** can be ordered with an **optional Slip Indicator** (Order P/N 444-0011-01) which satisfies FAA AC 91-75 for even greater versatility.

<u>OPERATING VOLTAGE</u> .....	11 to 30VDC
<u>STARTING CURRENT</u> .....	(14VDC system) 2.40 AMPS MAX (28VDC system) 1.40 AMPS MAX
<u>RUNNING CURRENT</u> .....	(14VDC system) 1.24 AMPS MAX (28VDC system) 0.62 AMPS MAX
<u>CIRCUIT BREAKER SIZE</u> .....	(14VDC system) 3 AMP (28VDC system) 2 AMP
<u>OPERATING TEMPERATURE RANGE</u> .....	-30° TO +50° C
<u>DIMENSIONS</u> .....	SEE FIGURE 1
<u>FAA SPECIFICATION CONFORMANCE</u> .....	TS0-C4c
<u>MEETS OR EXCEEDS</u> .....	AS396B

**NOTE: Panel tilt angle is set at the factory and must be specified at time of order.**

Visit us at: [www.kellymfg.com](http://www.kellymfg.com)

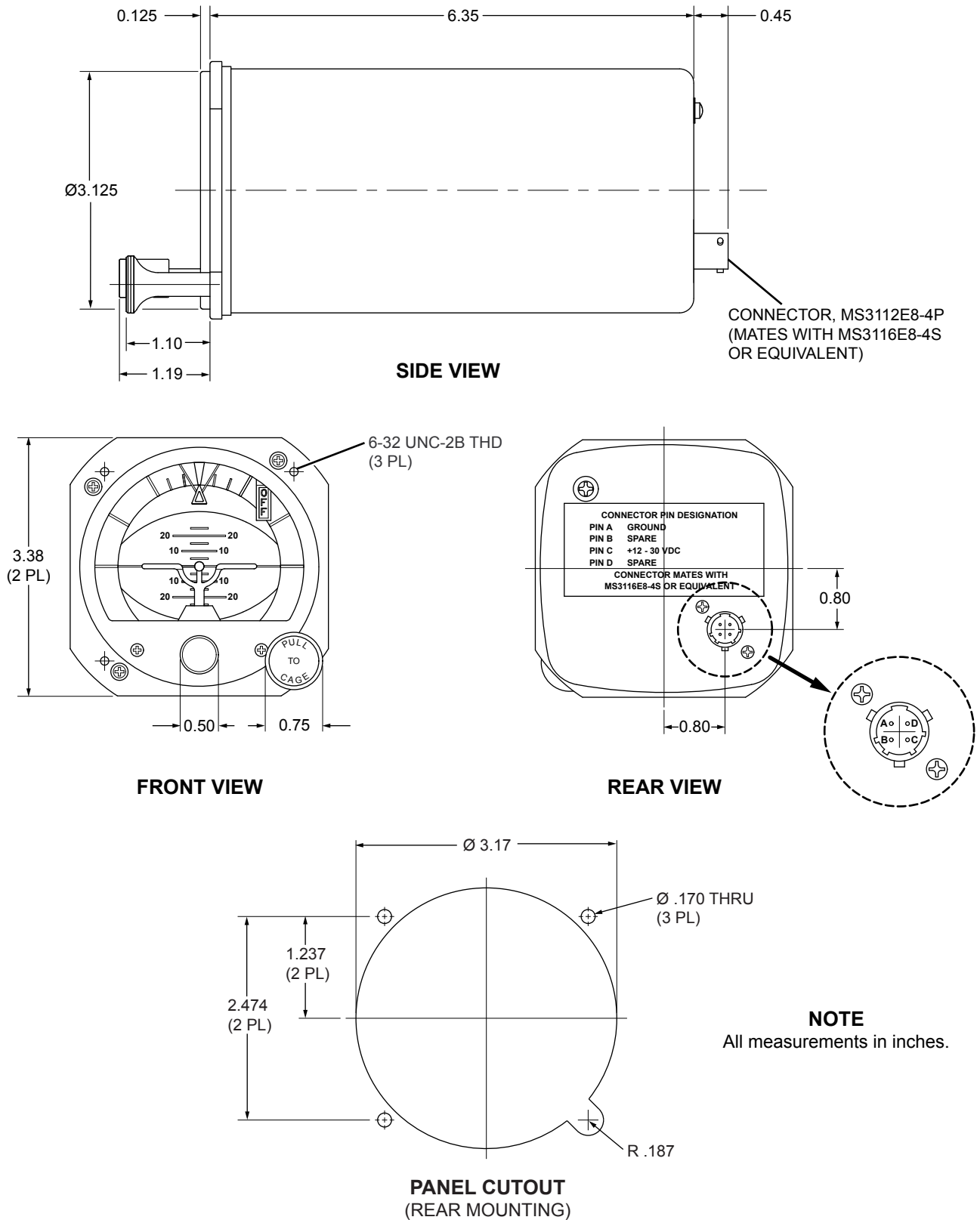


Figure 1, General Dimensions of the RCA26EK