

MINI6

- 1 ATTITUDE
- 2 HEADING
- 3 ALTIMETER
- 4 AIRSPEED
- 5 TURN & SLIP
- 6 VERTICAL SPEED



MULTIFUNCTIONAL INDICATOR

The **MINI6** indicator is the newest addition to RC Allen's groundbreaking line of digital instruments. It offers all the instrumentation of a traditional six-pack in one clean, customizable and easy to read presentation. The fully certified, easy to install indicator comes equipped with an internal battery backup providing an exceptional level of redundancy to any application.

- **EASY TO INSTALL**
 - Fits standard 3" cutout
 - No panel modifications
 - Rear mounted, matching the installation of standard 3" mechanical units
- **TSO CERTIFIED**
 - Holds: TSO-C4c, TSOC-113a, TSO-C3e and TSO-C6e, TSO-C2d, TSO-C10c and TSO-C8e.
 - Environmental Certification: (DO-160G) Software Certification (DO-178B),
- **CUSTOMIZABLE**
 - Wide range of customization options including range marks, units and display features
 - Selectable Heading Type (Magnetic Heading or Ground Track)
- **RELIABLE**
 - Internal battery backup
 - Self-contained
 - Solid state
 - 2 year warranty



March 2025

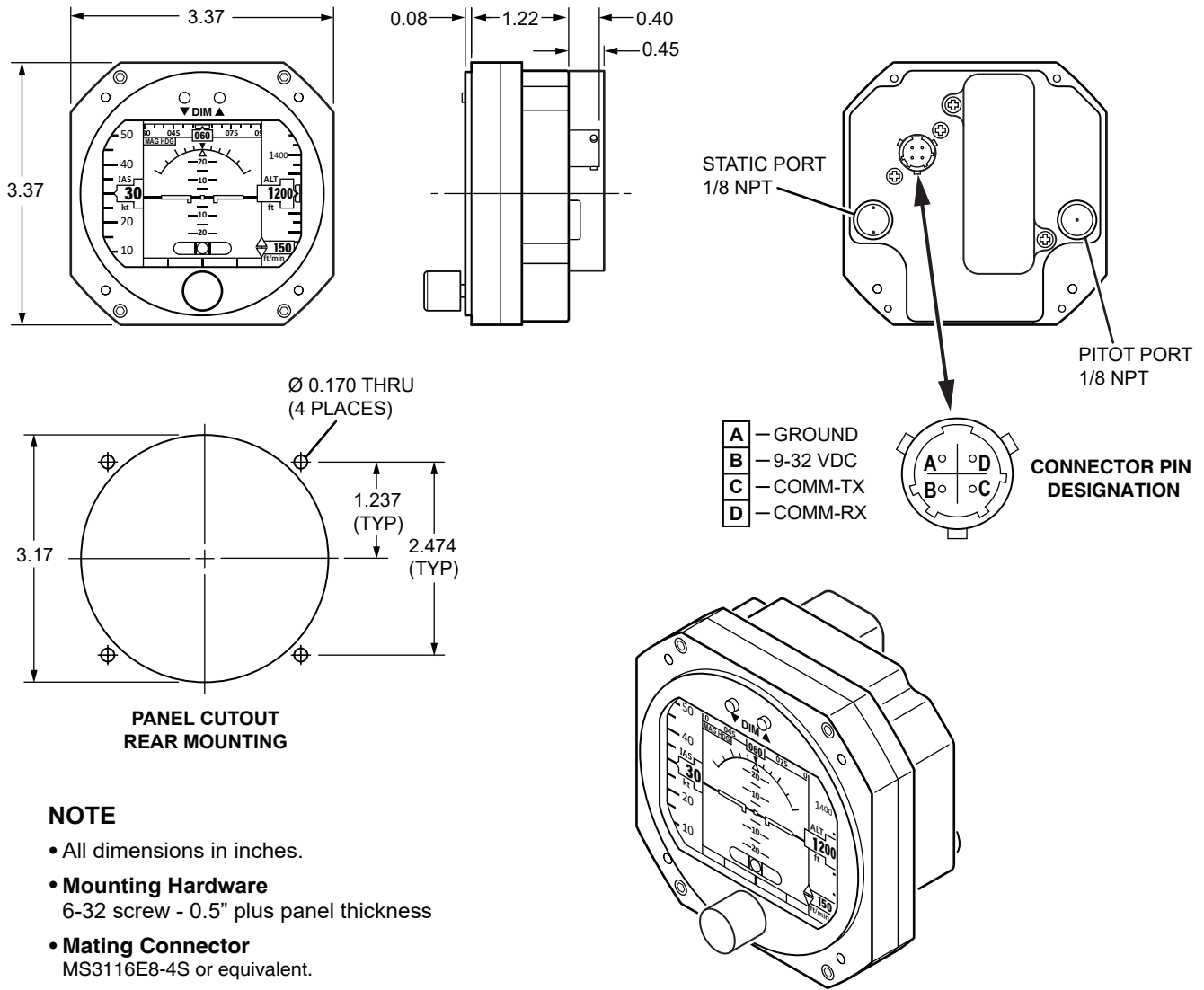


Figure 1, General Dimensions of the MINI6

SPECIFICATIONS:

Electrical:	9 – 32 VDC
Unit Size:	3.4"H x 3.4"W x 2.3"D (86.4 x 86.4 x 58.4 mm)
Weight:	8.3 oz (235.3 g)
Display Resolution:	320 x 240 pixels, LED backlight color LCD
Maximum indicated airspeed:	300 kts
Altitude range:	-5,000 - +33,000 feet
Vertical speed range:	± 9,000 feet/minute
Pitch/Roll Range:	± 360°
Battery Backup:	Rechargeable LiPo Battery
Battery life:	Up to 3 hours