

- IMPROVED USER INTERFACE
- NEW CUSTOMIZATION OPTIONS
- INTERNAL BATTERY BACKUP OPTION
- INTERNAL MAGNETOMETER
- MULTI-VOLT OPERATION (9 TO 32 VOLTS)
- FITS STANDARD PANEL CUTOUT
- ALL DIGITAL - NO MOVING PARTS
- TOTALLY SELF-CONTAINED
- LIGHTWEIGHT 6.75 oz.
- FULLY FAA CERTIFIED

2 YEAR WARRANTY!



The popular **RCA1510** Series Digital Heading Indicator has been updated with several exciting new features. The addition of a unique **User Interface** allows the pilot to input heading information, switch display configurations and access calibration status. The **Customizable Options** allow for a multitude of display configurations, which includes simultaneously indication of both “Ground Track” and “Magnetic” heading types.

The **RCA1510** is designed as a fully FAA Certified direct replacement for your mechanical Directional Gyro. It is totally self-contained and fits in a standard 3-inch panel cut-out. The **RCA1510** obtains GPS information through an RS232 communication signal from an existing GPS receiver on the aircraft. An optional internal GPS receiver which obtains a GPS signal from a dedicated powered antenna is also available (See figure 2 Model Options).



CUSTOMIZABLE DISPLAY



NEW MENU DISPLAY

<u>OPERATING VOLTAGE</u>	9 to 32VDC
<u>RUNNING CURRENT</u>	(14VDC system) 0.35 AMPS MAX (28VDC system) 0.20 AMPS MAX
<u>CIRCUIT BREAKER SIZE</u>	1 AMP
<u>ACCURACY</u>	2 DEGREES
<u>OPERATING TEMPERATURE RANGE</u>	-20° TO +55° C
<u>MATING CONNECTOR</u>	MS3116E8-4S OR EQUIVALENT
<u>DIMENSIONS</u>	SEE FIGURE 1
<u>WEIGHT</u>	8.35 oz.
<u>Battery Backup:</u>	Rechargeable LiPO Battery (Up to 3 hours)
<u>FAA SPECIFICATION CONFORMANCE</u>	TSO-C6e, TSO-C113a, DO-160G & DO-178B Level C

September 2021

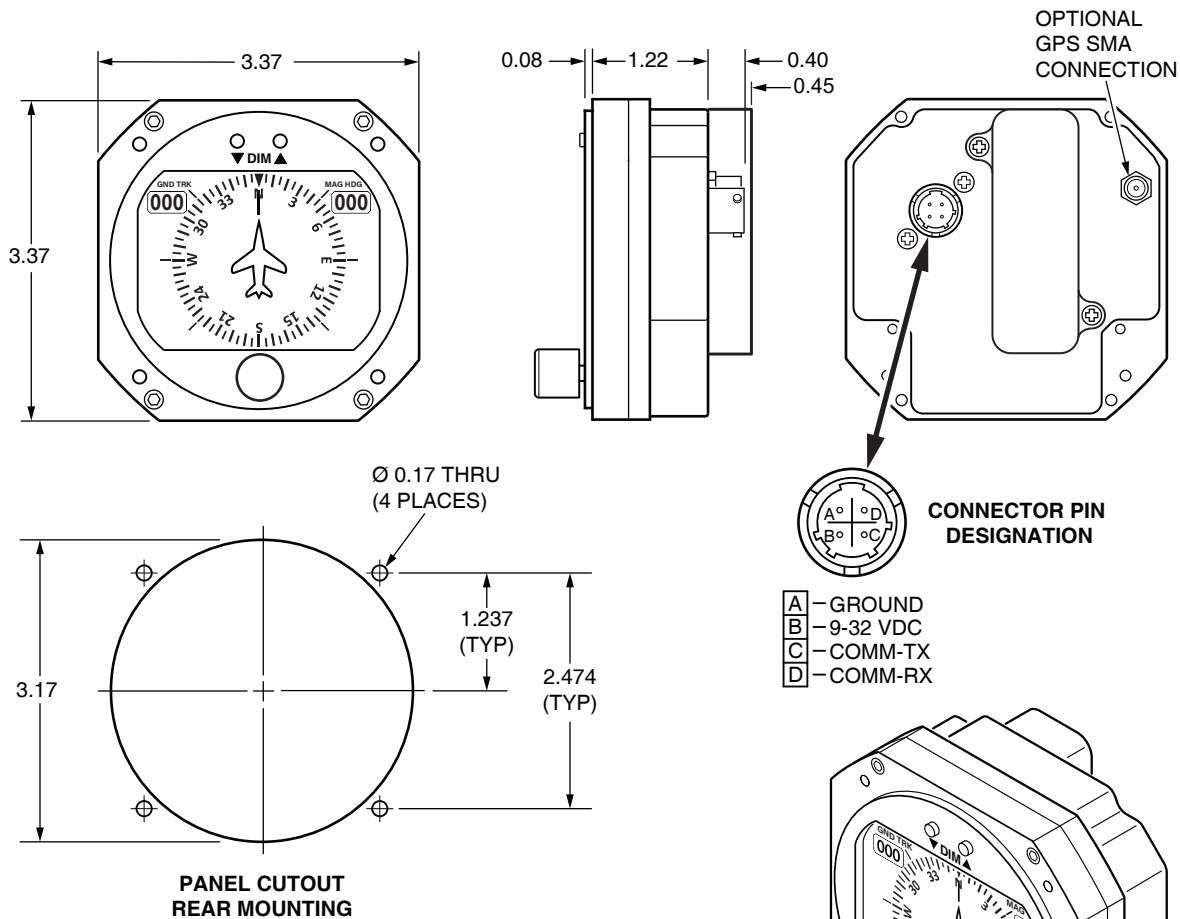


Figure 1, General Dimensions of the RCA1510-3.

PART NUMBER	GPS SIGNAL INPUT		BATTERY BACKUP
	DEDICATED ANTENNA (SMA)	RS232 SERIAL CONNECTION	
103-0503-03-01	X		
103-0503-03-03	X		X
103-0503-03-05		X	
103-0503-03-07		X	X

Represents Manufacturer's Choice: Best value and lead times.

Figure 2, Model Options.

