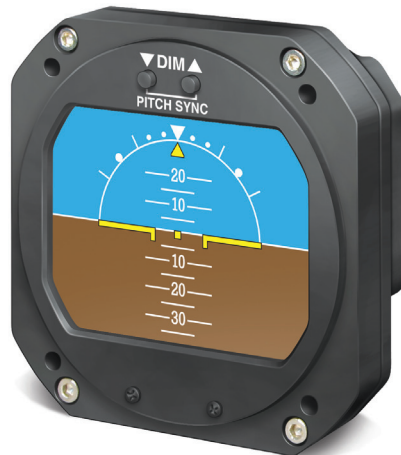


- PITOT-STATIC ENHANCED ACCURACY
- OPTIONAL PITCH SYNC FEATURE
- 360 DEGREES OF PITCH AND ROLL
- MULTI-VOLT OPERATION (9 TO 32 VOLTS)
- FITS STANDARD CUTOUT
- BRIGHT, HIGHLY VISIBLE LCD DISPLAY
- ALL DIGITAL - NO MOVING PARTS
- 3 AND 2 INCH MODELS AVAILABLE
- ADJUSTABLE BRIGHTNESS
- BLACK ANODIZED BEZEL
- LIGHTWEIGHT 2"= 4.75oz. & 3"= 6.75oz.
- FAA / EASA CERTIFIED



RCA2600-3P

NEW!
PITOT-STATIC
ENHANCED



RCA2600-2P

2 YEAR WARRANTY!

The **RCA2600-P Pitot/Static** is our newest addition to our Digital Attitude Indicator lineup. The original **RCA2600** uses mathematical algorithms to calculate airspeed which is perfect for most small aircraft. The addition of the Pitot-Static input, gives the **RCA2600-P** more precise speed information for greater accuracy and stability in faster, high performance aircraft. Order: **RCA2600-3P** (3 inch) or **RCA2600-2P** (2 inch)

This series also includes the **Pitch Sync** feature which allows pilots to instantly synchronize the airplane symbol to the horizon line when flying in a pitch up or pitch down attitude.

We also offer the **RCA2600-P-G** that comes without the Pitch-Sync feature which functions like the original model with brightness controls only. Order: **RCA2600-3P-G** (3 inch) or **RCA2600-2P-G** (2 inch).

The **RCA2600-P** has the look of a traditional attitude indicator without the clutter of additional data on the screen. Being totally digital, the **RCA2600-P** has no moving parts to wear out for years of reliable service. That is why we include a full two-year warranty!

All **RCA2600-P** models can be ordered with an optional **slip indicator** (inclinometer) (Order P/N 444-0010-01) which satisfies FAA AC 91-75 for even greater versatility.

<u>OPERATING VOLTAGE</u>	9 to 32VDC
<u>RUNNING CURRENT</u>	(14VDC system) 0.20 AMPS MAX (28VDC system) 0.18 AMPS MAX
<u>CIRCUIT BREAKER SIZE</u>	2 AMP
<u>SETTLING ERROR</u>	1° MAXIMUM IN ROLL AND PITCH
<u>OPERATING TEMPERATURE RANGE</u>	-30° TO +50° C
<u>DIMENSIONS</u>	SEE FIGURE 1
<u>FAA SPECIFICATION CONFORMANCE</u>	TSO-C4c, TSO-C113, DO-160F & DO-178B Level C
<u>EASA SPECIFICATION CONFORMANCE</u>	ETSO-C4c and ETSO-C113

NOTE: Panel tilt angle is set at the factory and must be specified at time of order.

Visit us at: www.kellymfg.com

December 2015

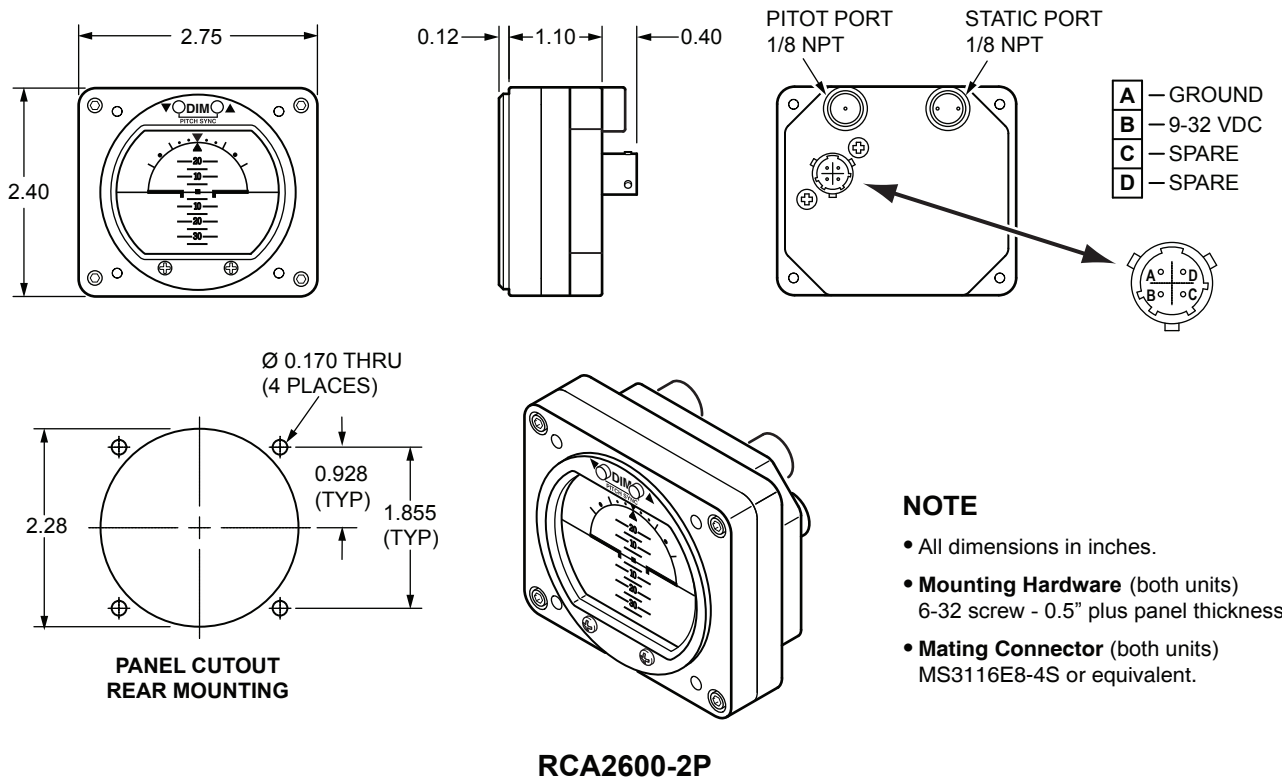
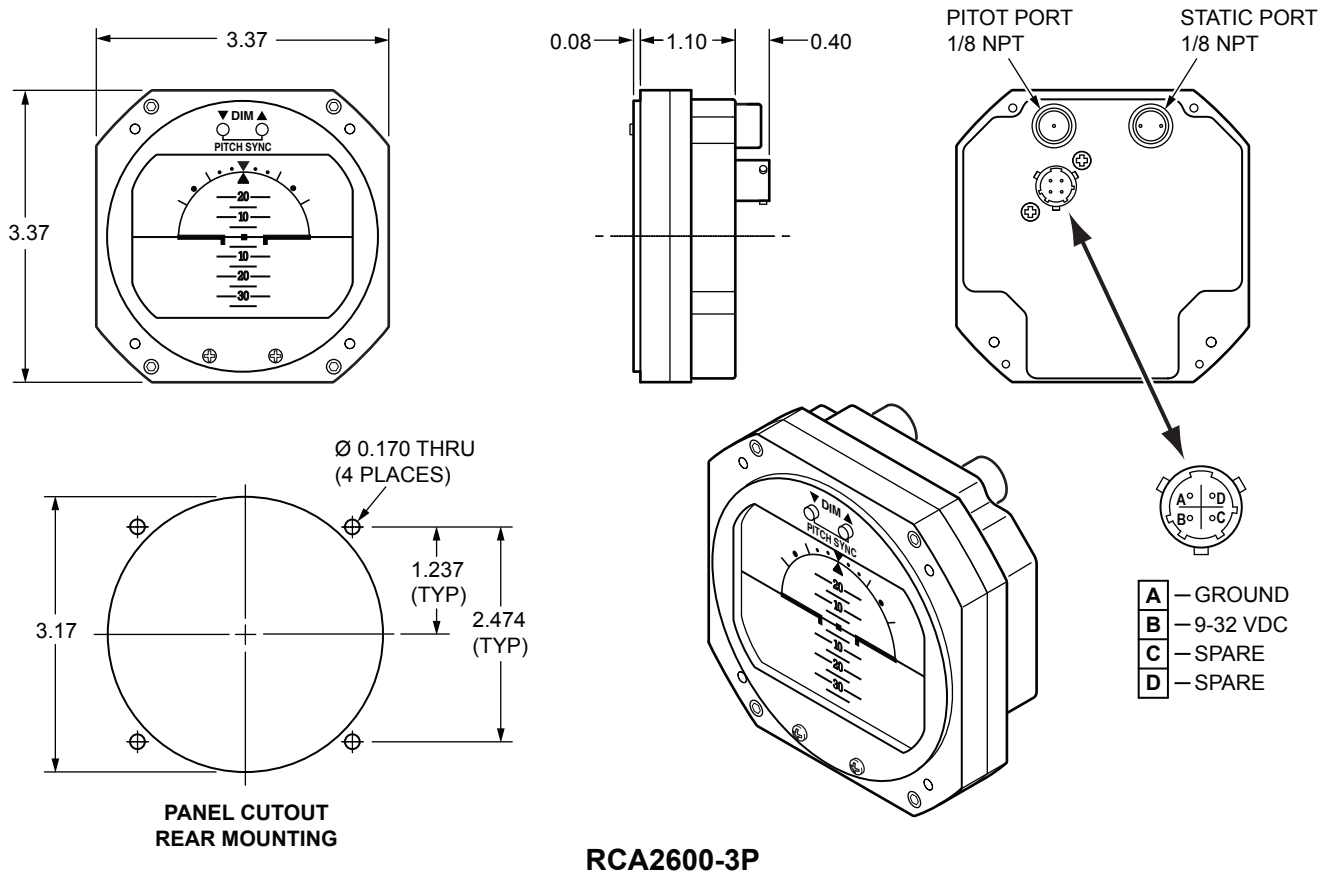


Figure 1, General Dimensions of the RCA2600-P3 and RCA2600-P2